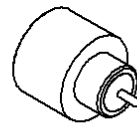
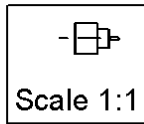
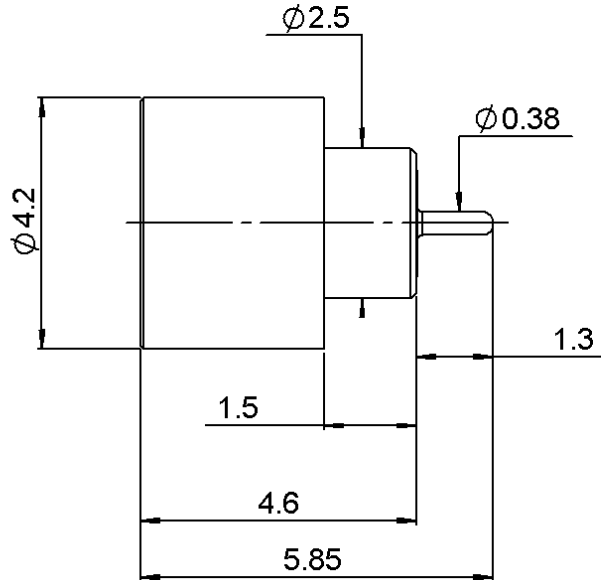


HERMETIC STRAIGHT MALE RECEPTACLE
SOLDER TYPE-LIMITED DETENT

R222.645.340

Series : SMP



All dimensions are in mm.



COMPONENTS	MATERIALS	PLATINGS (μm)
BODY	DILVER P	GOLD 0.5 OVER NICKEL 2
CENTER CONTACT	DILVER P	GOLD 0.5 OVER NICKEL 2
OUTER CONTACT	-	-
INSULATOR	GLASS	-
GASKET	-	-
OTHERS PARTS	-	-
-	-	-
-	-	-

Issue : 0745 B

In the effort to improve our products, we reserve the right to make changes judged to be necessary.



HERMETIC STRAIGHT MALE RECEPTACLE

R222.645.340

SOLDER TYPE-LIMITED DETENT

Series : SMP

PACKAGING

SPECIFICATION

Standard	Unit	Other
100	'W' option	Contact us

ELECTRICAL CHARACTERISTICS

ENVIRONMENTAL

Impedance	50	Ω
Frequency	0-18	GHz
VSWR	1.15 + 0,0000	x F(GHz) Maxi
Insertion loss	.12	\sqrt{F} (GHz) dB Maxi
RF leakage	- (Note)	- F(GHz)) dB Maxi
Voltage rating	335	Veff Maxi
Dielectric withstanding voltage	500	Veff mini
Insulation resistance	5000	M Ω mini

Operating temperature	-65/+165	$^{\circ}$ C
Hermetic seal	10-8	Atm.cm3/s
Panel leakage	NA	

OTHERS CHARACTERISTICS

Assembly instruction

Others :

RF leakage -80dB to 3GHz; -65dB 3to18GHZ
Conforme MIL-STD-348

MECHANICAL CHARACTERISTICS

Center contact retention		
Axial force – Mating end	6.8	N mini
Axial force – Opposite end	6.8	N mini
Torque	NA	N.cm mini
Recommended torque		
Mating	NA	N.cm
Panel nut	NA	N.cm
Mating life	500	Cycles mini
Weight	0,1800	g

Issue : 0745 B

In the effort to improve our products, we reserve the right to make changes judged to be necessary.

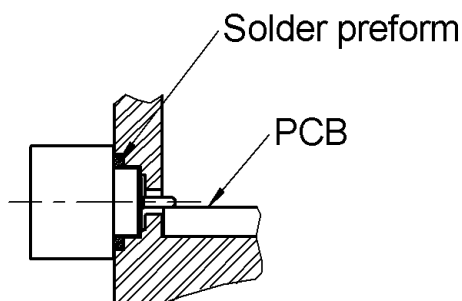


HERMETIC STRAIGHT MALE RECEPTACLE

R222.645.340

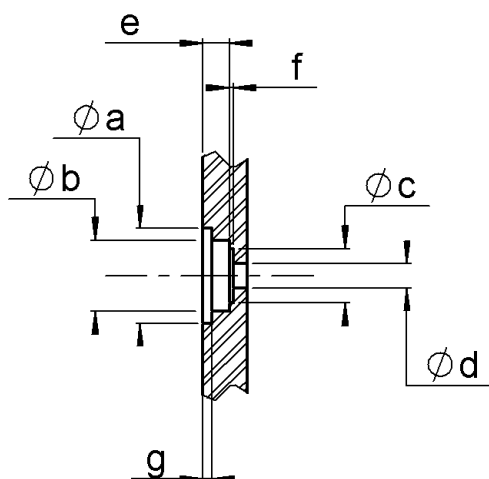
SOLDER TYPE-LIMITED DETENT

Series : SMP



1. Degrease and clean connector and box
2. Solder the connector on the panel
we advise SnAg4 Cu0.5, we recommend a low residue flux.
Preheating at 100 °C. Take care not to exceed 260°C during solder operation
3. Solder the pin on the track
we advise SnAg4 Cu0.5, we recommend a low residue flux.
Preheating at 100 °C (only for ceramic substrate). Take care not to exceed 260°C during solder operation

Panel mounting hole



a	3,43 - 3,47
b	2,59 - 2,61
c	1,95 - 2,05
d	0,87 - 0,91
e	1,45 - 1,50
f	0,13 - 0,17
g	0,28 - 0,38

Issue : 0745 B

In the effort to improve our products, we reserve the right to make changes judged to be necessary.

